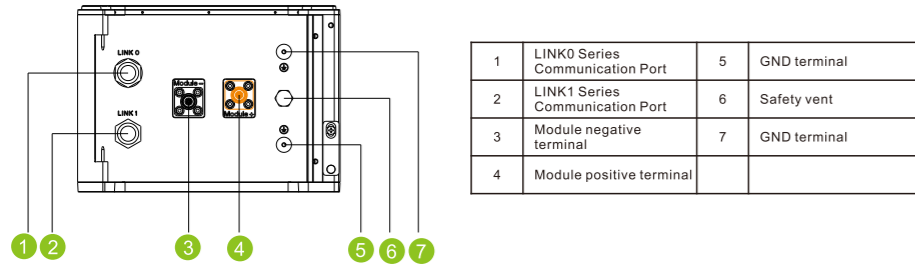
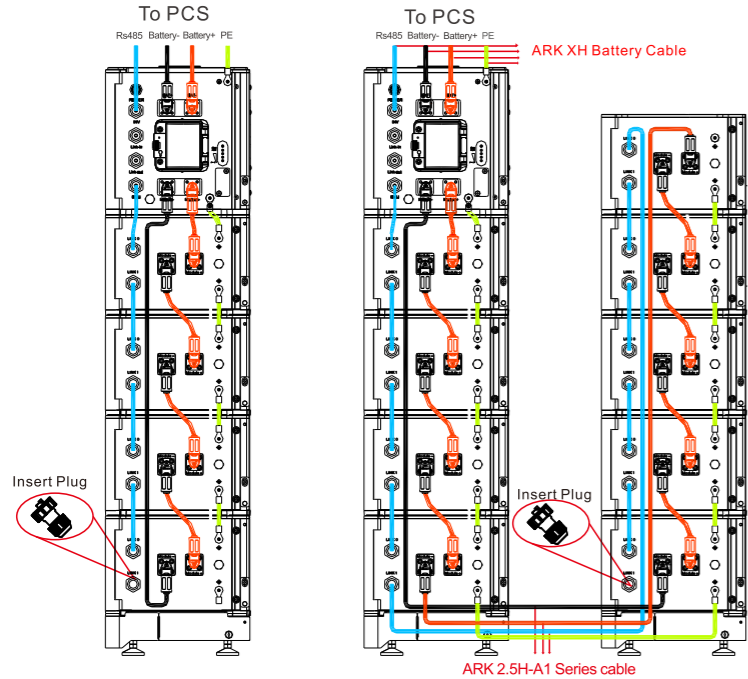


5-2 ARK 2.5H-A1 Connection end face introduction



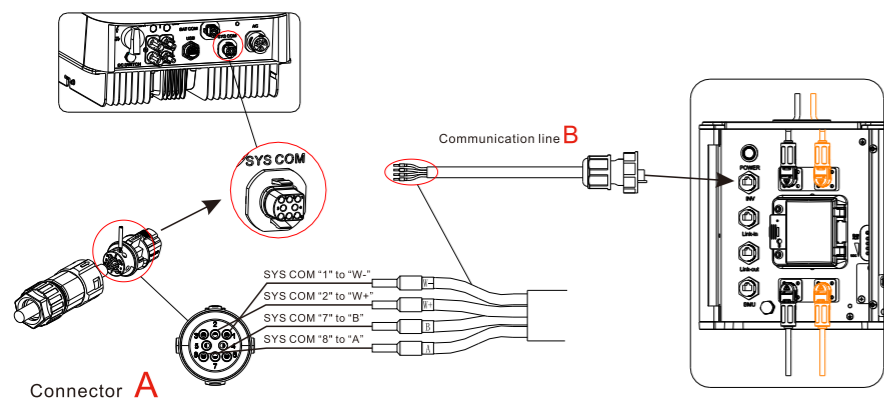
5-3 Diagram of wiring connection



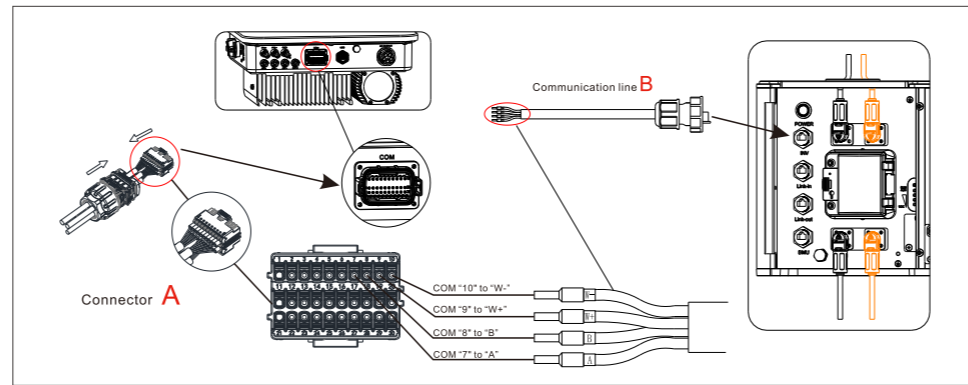
Note: It is not recommended to install a DC circuit breaker between the battery system and the hybrid inverter system. If you want to install a DC circuit breaker with rated working voltage greater than 1000V and rated working current greater than 63A, do not operate the DC circuit breaker with power on, otherwise the machine may be damaged.

5-4 Communication port connection

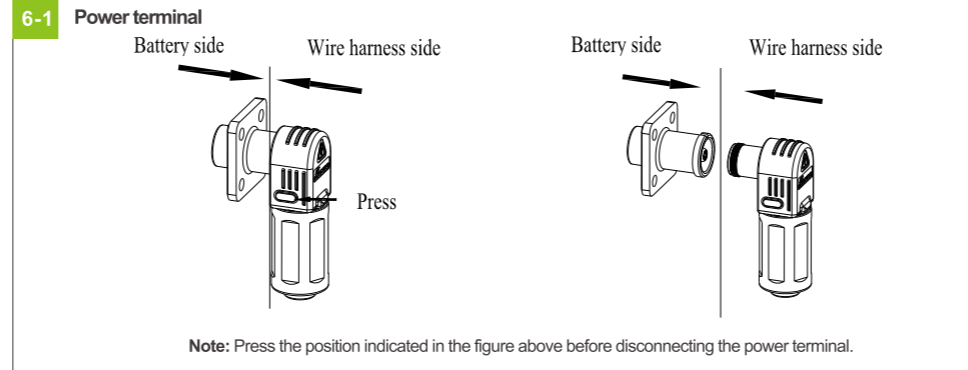
| BDC 95045-A1 | | | MIN TL-XH | | |
|--------------|------------------------|--------------|-------------|------------------------|------------|
| Silk screen | Terminal serial number | Definition | Silk screen | Terminal serial number | Definition |
| INV | 1 | WAKE-(W-) | SYS COM | 1 | BAT.EN- |
| | 2 | WAKE+(W+) | | 2 | BAT.EN+ |
| | 7 | RS 485_B (B) | | 7 | RS 485_B |
| | 8 | RS 485_A(A) | | 8 | RS 485_A |



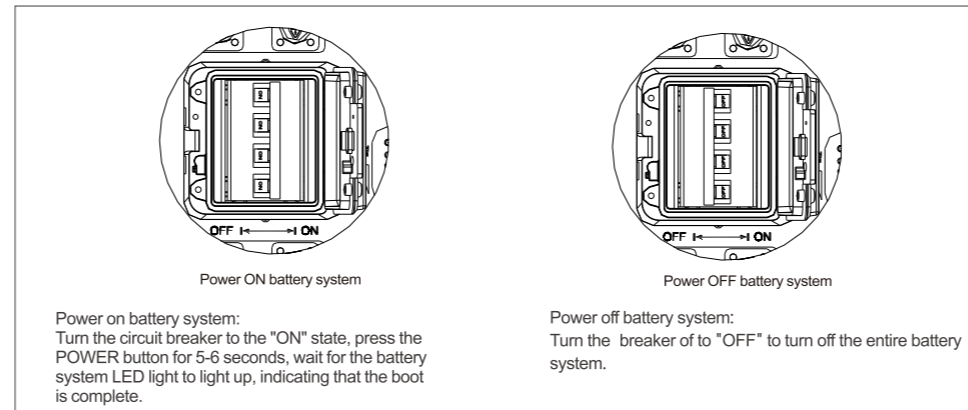
| BDC 95045-A1 | | | MOD TL3-XH | | |
|--------------|------------------------|--------------|-------------|------------------------|------------|
| Silk screen | Terminal serial number | Definition | Silk screen | Terminal serial number | Definition |
| INV | 1 | WAKE-(W-) | COM | 10 | BAT.EN- |
| | 2 | WAKE+(W+) | | 9 | BAT.EN+ |
| | 7 | RS 485_B (B) | | 8 | RS485B2 |
| | 8 | RS 485_A(A) | | 7 | RS485A2 |



6.Terminal Connection



7.Battery system switch operation



8.Key operation

Power Button

| Situation | Touch | Definition | |
|------------|------------|------------|---------|
| System off | Press(≥5S) | Power on | Press → |

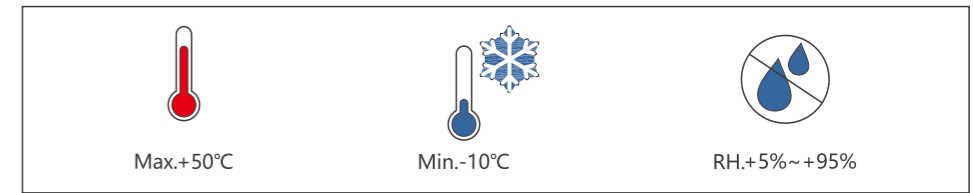
Note: When multiple battery system are used in parallel connection, you only need to press one key of any module to start the system.

9.Service and contact

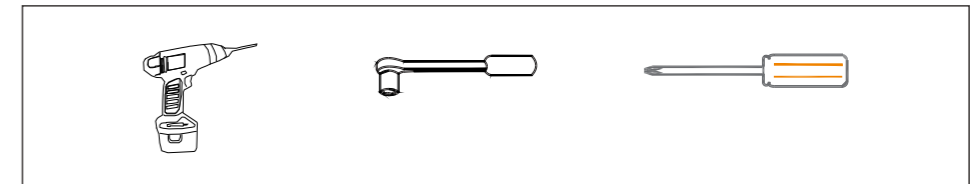
Shenzhen Growatt New Energy Co., Ltd
4-13/F, Building A, Sino-German(Europe) Industrial Park,
Hangcheng Ave, Bao'an District, Shenzhen, China
86 0755 2747 1942 service@ginverter.com
W:www.ginverter.com



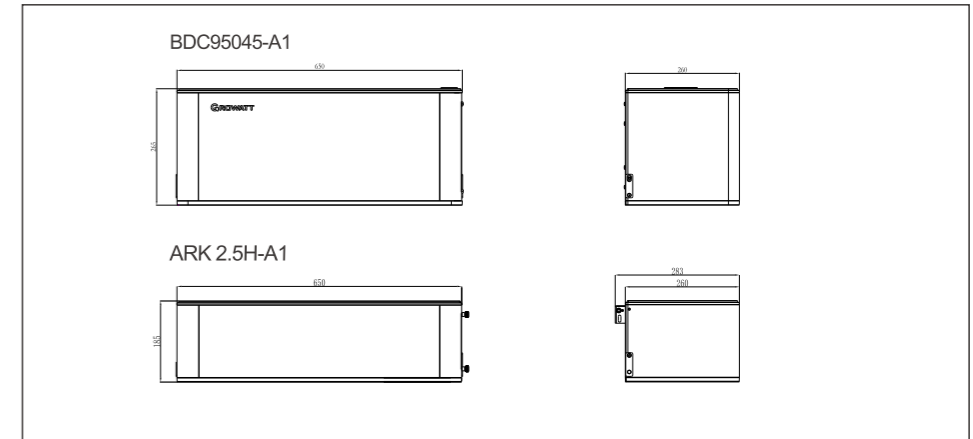
Installation environment



Installation tools

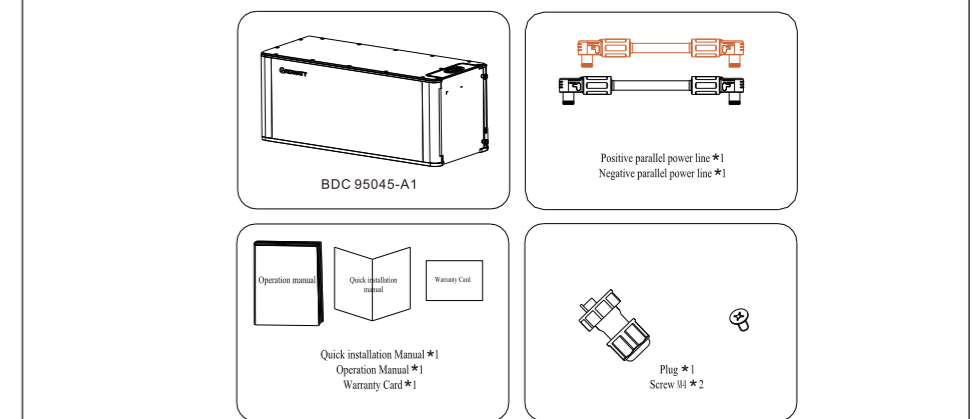


System size

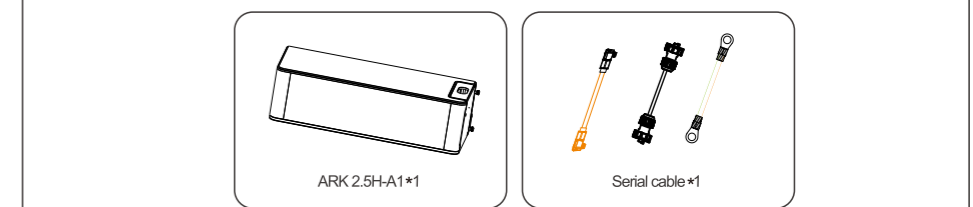


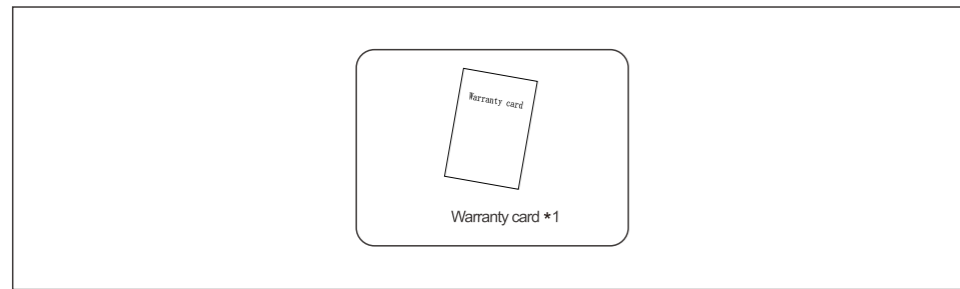
1.Check

1-1 Check BDC 95045-A1 List

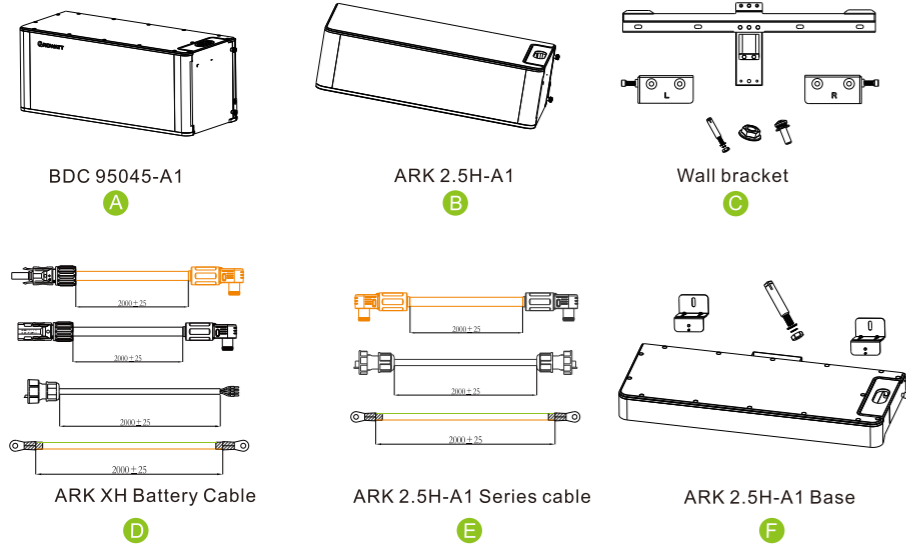


1-2 Check ARK 2.5H-A1 List





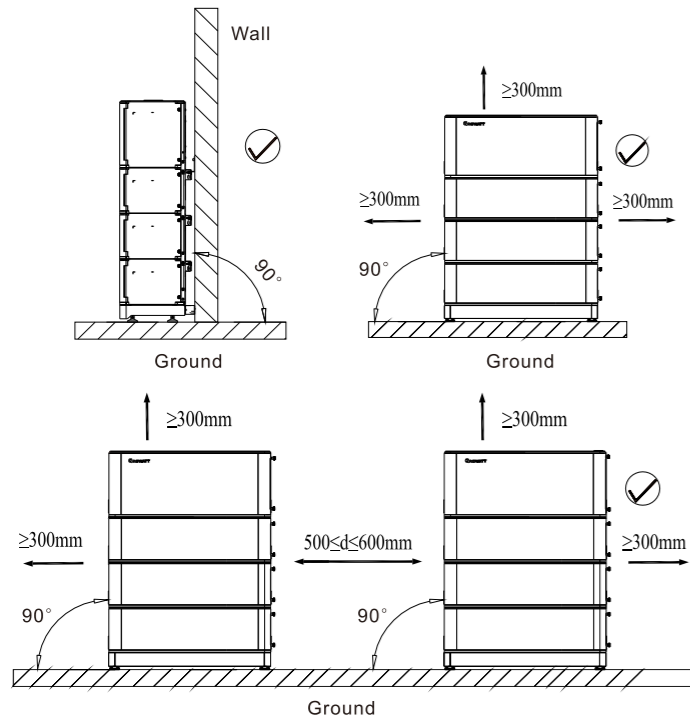
1-3 Check accessories



| Installation Method | Compound Mode |
|---|---------------|
| Standard Wall-Mounted Installation | A+B+C+D |
| Standard floor installation | A+B+D+F |
| Wall-Mounted Battery system stacked in two line | A+B+C+D+E |
| Floor installation battery system stacked in two line | A+B+D+E+F*2 |

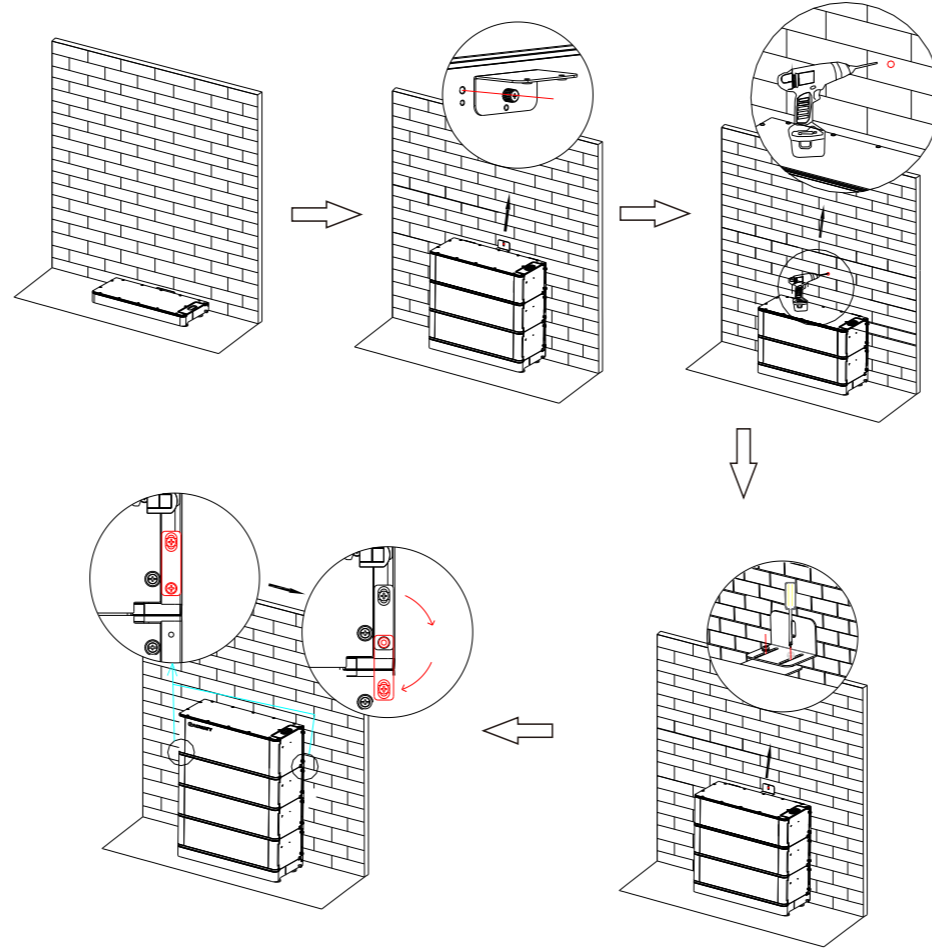
2. Floor installation with base

2-1 Installation Location Requirements



Note: 1. If more than 4 batteries are used, base mounting is recommended.
2. For floor installation with base, the maximum stack number of the battery is ten. But if the battery number is greater than six, we recommend stacking them in two lines.

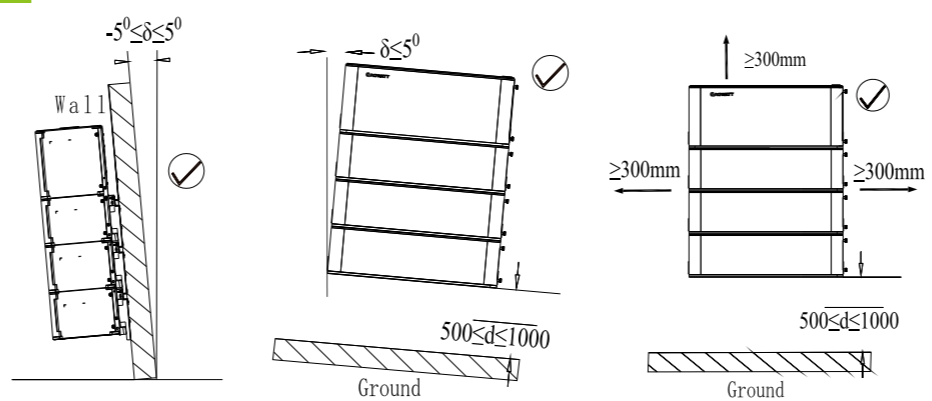
2-2 Installation Procedure



Note: The safety part needs to be installed at the top battery, however, once the number of the battery pack is higher than 7, one more safety part should be installed in the middle battery which is shown the last step.

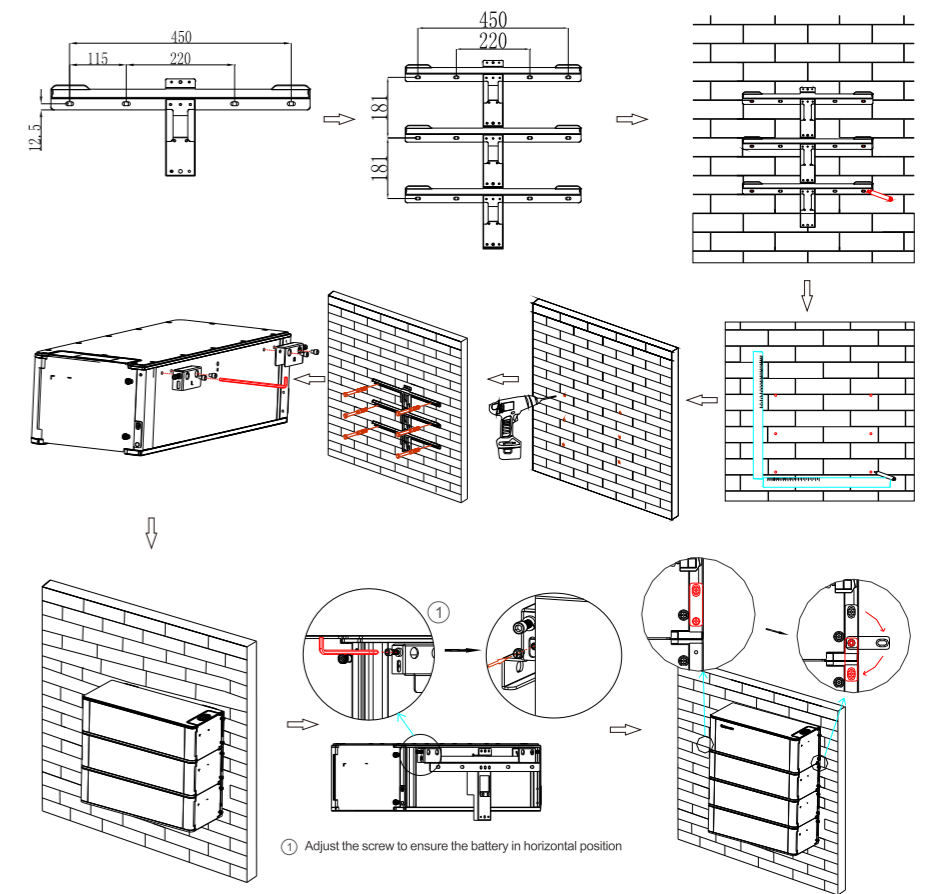
3. Wall-Mounted Installation Process

3-1 Installation Location Requirements

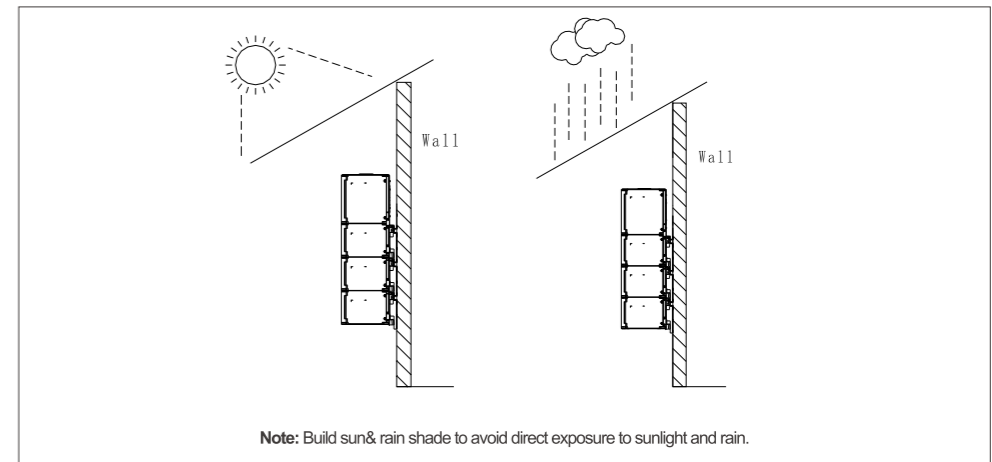


Note: The number of wall-mount installations should not exceed four. Please make sure that the weight capacity of wall should exceed 150kg.

3-2 Installation Procedure



4. Install Environment



Note: Build sun & rain shade to avoid direct exposure to sunlight and rain.

5. Wire Connection

5-1 BDC95045-A1 Connection end face introduction

