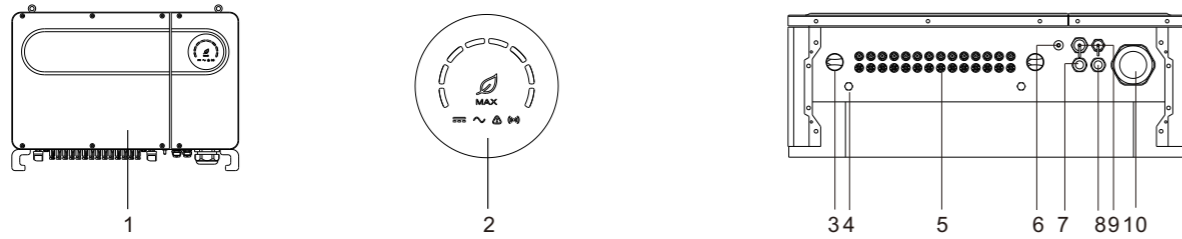


1. General information-specification



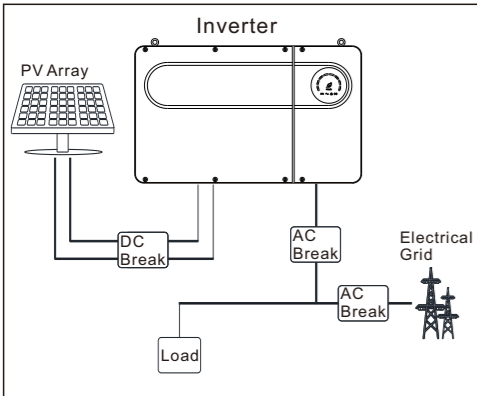
- (1) Front panel (2) LED (3) DC switch (4) Vent valve (5) PV port
- (6) Safety ground terminal (7) RS485 port (8) External CT port (opt.) (9) USB port (10) AC port

⚠ Note:

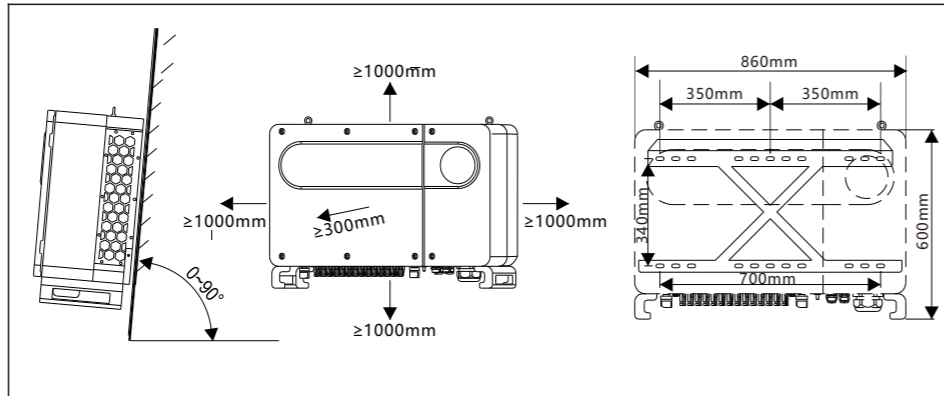
1. Due to product upgrades or other reasons, this article will be updated from time to time. Unless otherwise agreed, this article is only used as a guide. All information and suggestions do not constitute an express or implied warranty. The final interpretation of the relevant content is in Growatt
2. This document is only used to quickly guide the installation, see the "User Manual" for specific details.
3. The damage to the machine caused by not following the content is not covered by the warranty.

2. Installation

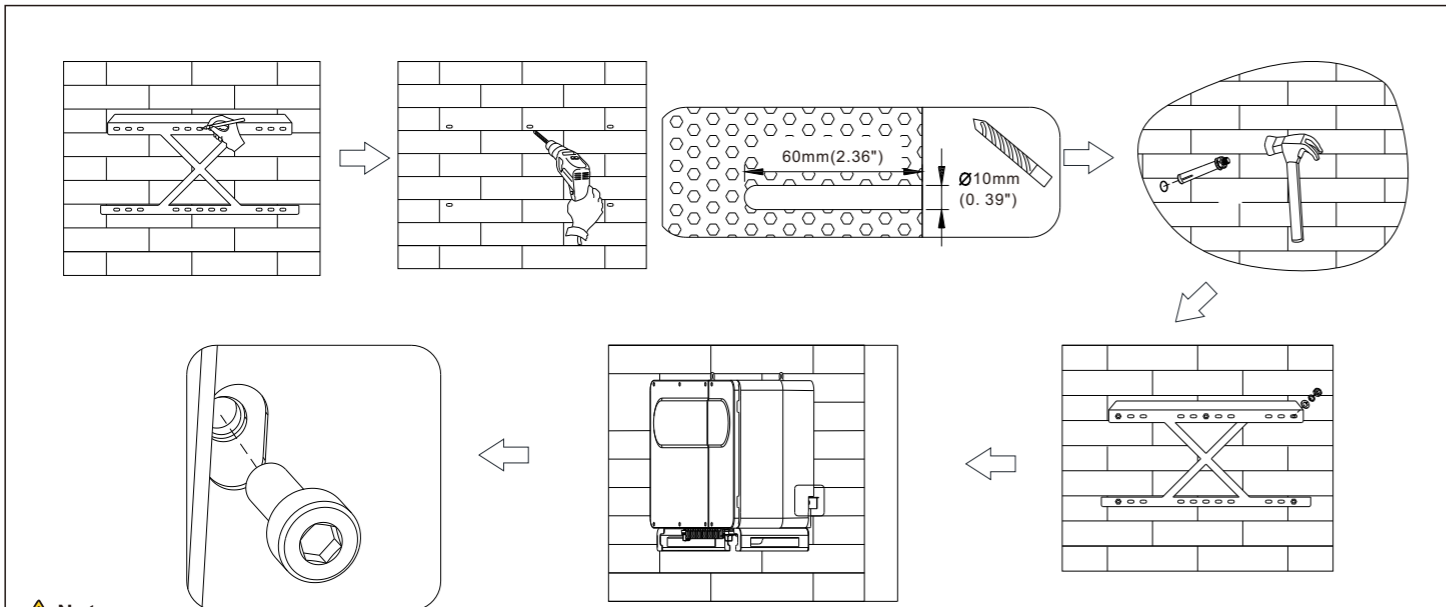
System Overview



2.1 Installation requirements



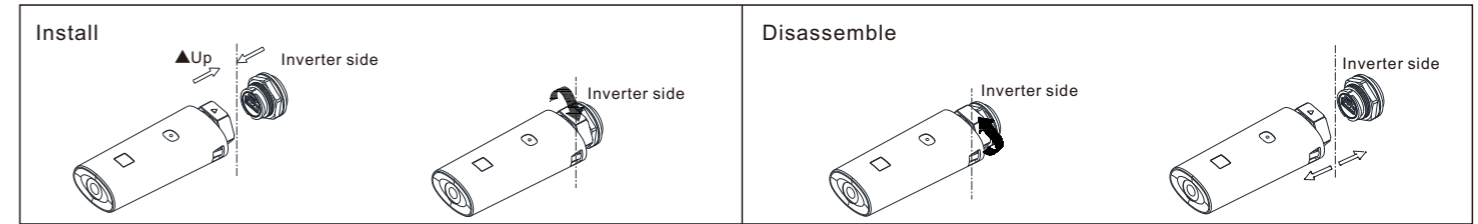
2.2 Wall mounting



⚠ Note:

When drilling holes in the wall, avoid water and electricity pipes, otherwise it may cause danger.

2.3 Communication module installation



3. Electronic communication

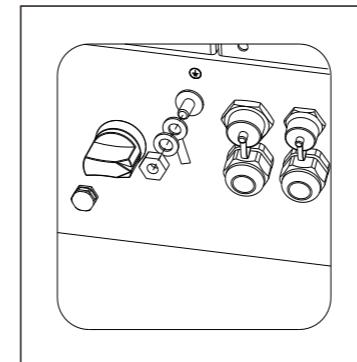
Please prepare the cable before connecting as follows.

No.	Cable name	Type	Recommend model (Recommend value)	Recommend torque value of screw
1	Protective grounding wire	Single multi-core yellow-green wire	≥25mm ² (25mm ²)	60kgf.cm
2	AC output wire	Single multi-core copper wire	35mm ² - 50mm ² (50mm ²)	100kgf.cm (PE ground 60kgf.cm)
		Single multi-core AL. wire	50mm ² - 70mm ² (70mm ²)	
3	PV input wire	Single multi-core copper wire	4mm ² - 6mm ² (4mm ²)	/
4	other communication wire	RS485	/	/

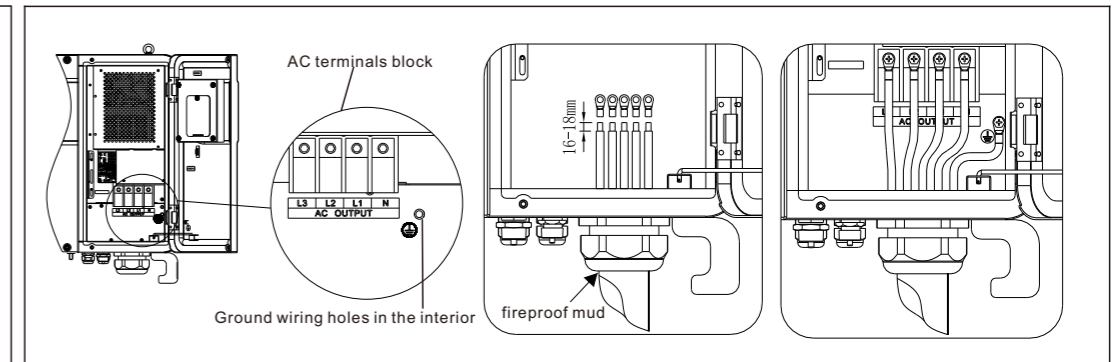
⚠ Note

1. Please make sure all switches are OFF before wiring. For personal safety, please do not operate with electricity.
2. If the diameter of the cable does not match the terminal, or the cable is aluminum wire, please contact our after-sales personnel.

3.1 Grounding

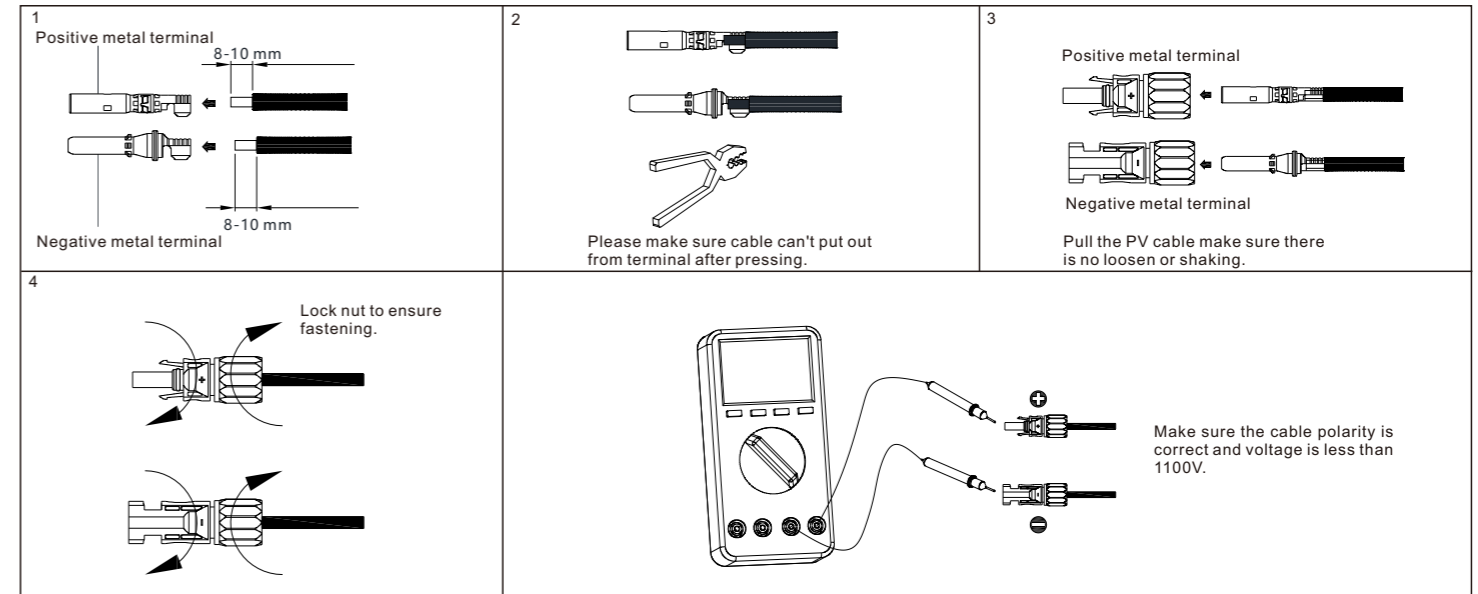


3.2 AC output connection

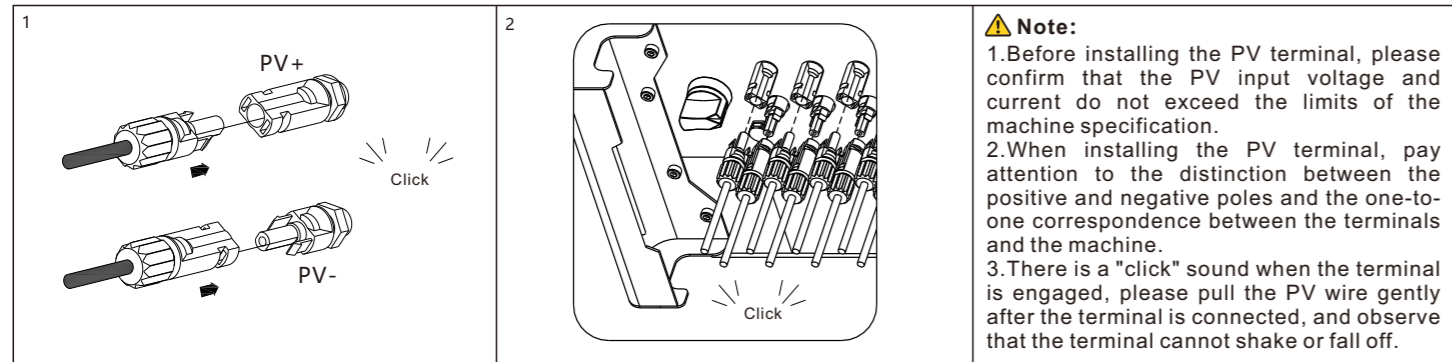


3.3 DC connection

3.3.1 PV input terminal installation

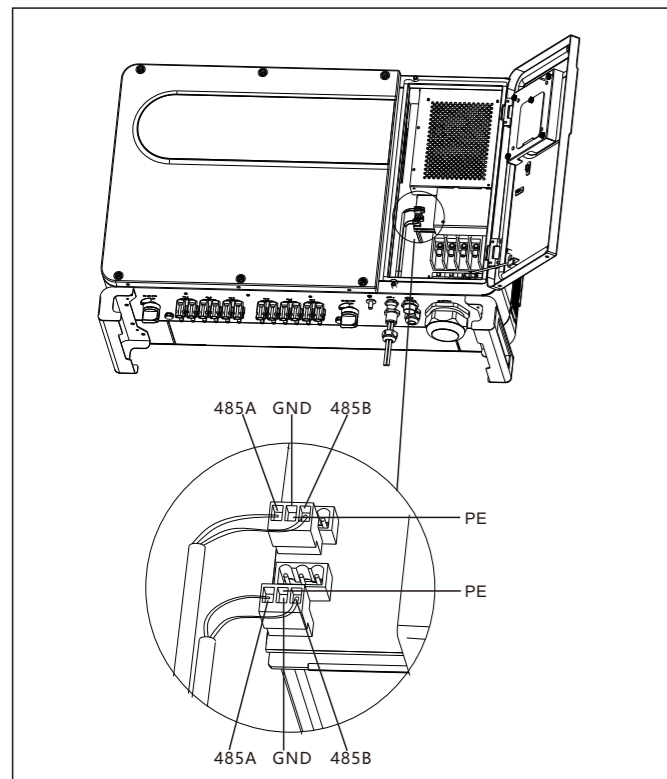


3.3.2 Plug in PV terminal



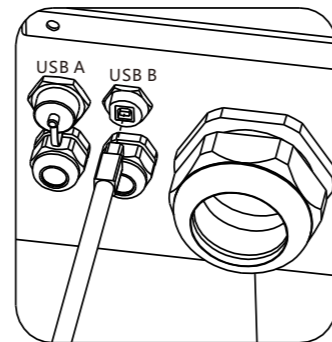
3.3.3 Communication cable installation

3.3.3.1 RS485 installation



3.3.3.2 USB installation

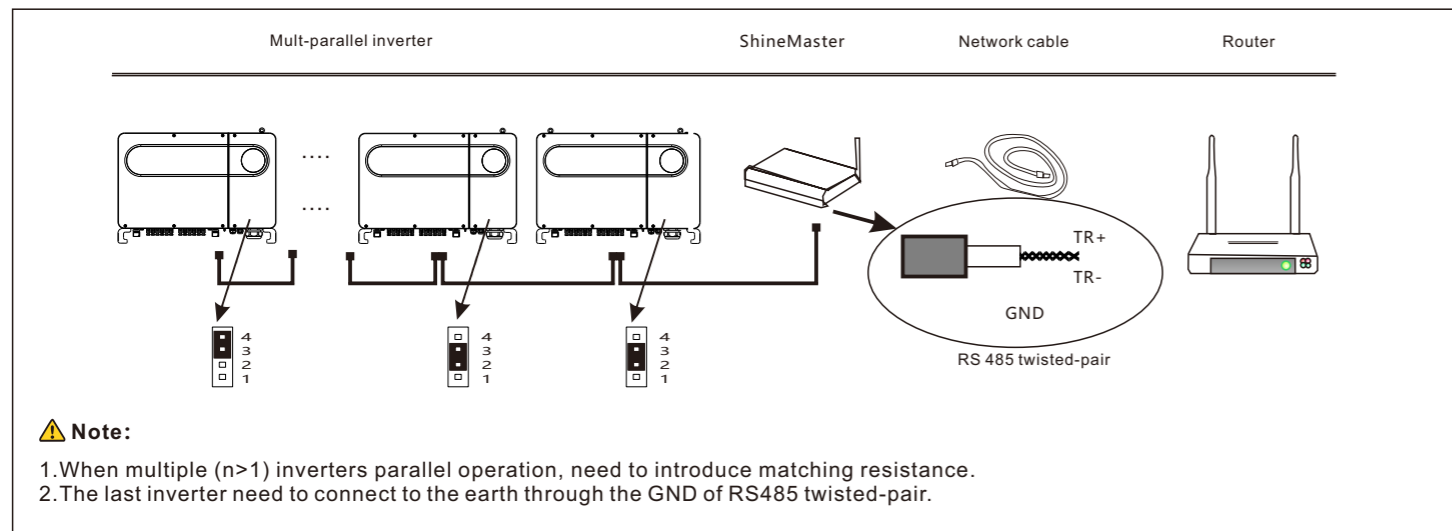
1. USB-A interface can be used to connect USB-WIFI/GPRS/4G modules or U disks.
2. USB_B interface can communicate with PC through USB square port data line.



Note:

1. USB-A interface and USB-B interface can not be used at the same time. please remove the USB-WIFI/GPRS/4G module / U disc / data line after operation and tighten the waterproof cover.

3.3.3.3 Multi-parallel inverter installation



4. Post-installation check

No.	Acceptance criteria	No.	Acceptance criteria
1	The inverter is installed correctly, firmly and reliably.	6	The RS485 communication cable is installed correctly and firmly.
2	The ground wire connected well and the connection is firm and reliable.	7	The cable tie port is trimmed well without leaving sharp corners, meets the requirements of the user.
3	All switches are in the OFF state.	8	All exposed terminals are well protected and there are no vacant ports.
4	All wiring is correct and securely connected.	9	Pay attention to clean up all construction residues.
5	The wiring of the cable is reasonable, meets the requirements, and there is no phenomenon of broken skin.		

5. Power on and off steps

Note:

Before powering on, please make sure that all voltage ranges are within the working range of the machine, otherwise the machine may be damaged.

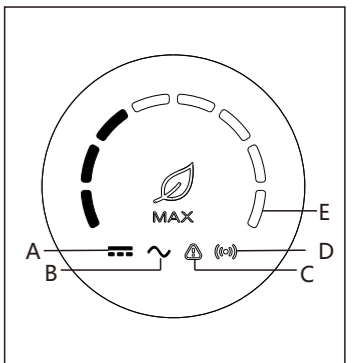
Follow the steps below to switch on and off:

1. Close the switch between the PV and the inverter.
2. Close the switch between the power grid and the inverter.
3. If you need to set the inverter, please refer to the inverter user manual for details.
4. The shutdown steps are opposite to the above order.

6. Status of PV grid inverter

Customer can read more information by LED. Follow are the instruction of LED:

Indicator	Function	State	Instructions
A	PV voltage indicator	Green light is always on	PV voltage $\geq 250V$
B	AC voltage indicator	Green light is always on	Inverter is in the grid state
		Green light is flashing	Inverter grid-connected countdown/fault status
C	Alarm / fault indicator	Red light is flashing slowly	Inverter warning
		Red light is always on	Inverter fault
D	Communication indicator	Green light is always on	The inverter communicate normally
E	Power indicator	Green light is always on	The eight LEDs represent the power of the inverter
	Fault code indicator	Green light is always on	For the detail fault code, please refer to the manual



7. Service and contact

Shenzhen Growatt New Energy Co., Ltd
 4-13/F, Building A, Sino-German (Europe) Industrial Park,
 Hangcheng Ave, Bao'an District, Shenzhen, China

T +86 0755 2747 1942
E service@ginverter.com
W www.ginverter.com

