

MSPC100AS-18

100Wp Poly-Crystalline Solar Module

MünchenSolar

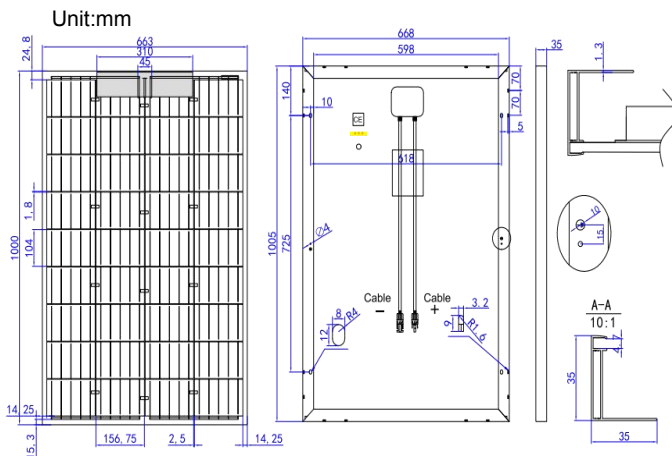
MAXIMALENERGIE



Manufacturer of high quality module



Engineering drawing



Key Features

- Plus power tolerance: +3%
- Independent research anti-reflective and self-cleaning glass surface reduces power loss from dirt and dust
- Excellent performance under low light environments, create better kWh/kW ratio and produce average 2-3% more electricity



Best Quality

- Junction box and bypass diodes guarantee the modules free of overheating and “hot spot effect”
- 100% EL double-inspection ensures modules are defects free



Mechanical characteristics

Cell Type	Poly-crystalline 156.75x104
Number of cells	36pcs (4x9)
Module Dimensions	1005x668x35 mm
Module weight	7.4 kg
Front Glass	3.2mm Low iron tempered glass
Frame	Anodized aluminum alloy
Connector	MC4 PLUG
Output Cables	S=2.5mm ² /L=500mm
Junction box	IP67 with bypass-diode
Fire Safety Class	Class C (IEC61730)



Electrical Performance

Module Type	MSPC100AS-18	
Power output	100W	
Power output tolerances	%	0~+3
Module efficiency	%	15.0
Voltage at Pmax	V	18.41
Current at Pmax	A	5.43
Open circuit voltage	V	22.73
Short circuit current	A	5.79
Cells efficiency	%	17.3
Operating temperature	°C	- 40 ~ + 85



Thermal characteristics

Nominal operating cell temperature	°C	45 ± 2
Temperature coefficient of Pmax	% / °C	-0.37
Temperature coefficient of Voc	% / °C	-0.30
Temperature coefficient of Isc	% / °C	+0.04



Electrical characteristics

